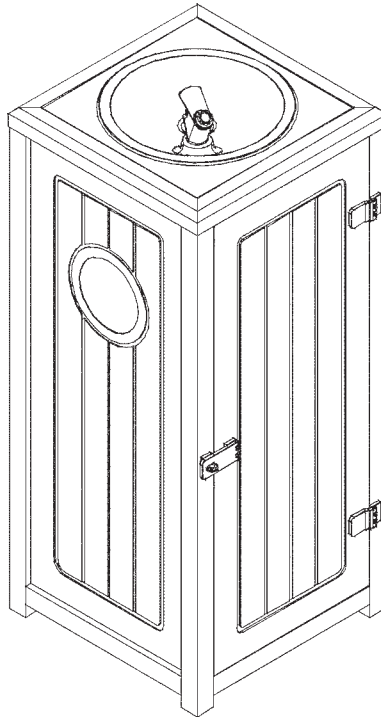


Halsey Taylor Owners Manual

Ice Chilled Fountain



INSTALLER

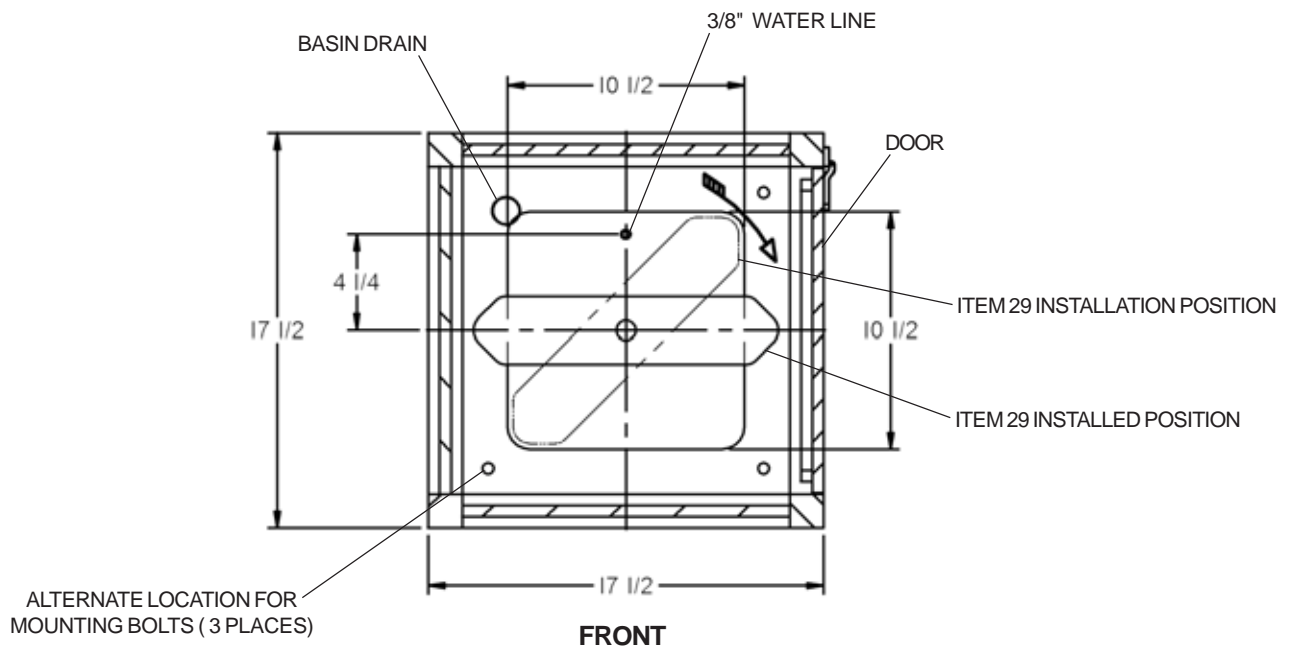
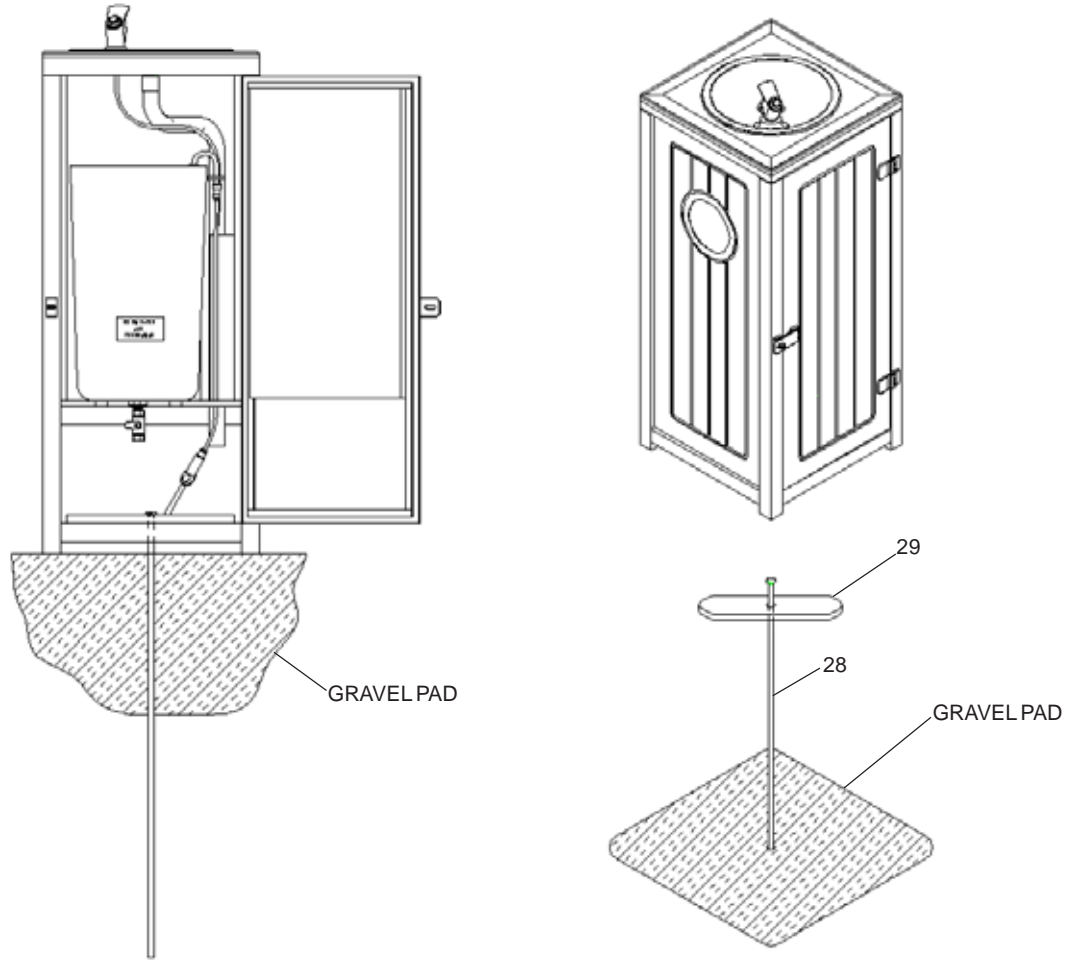
Halsey Taylor Fountains are among the easiest to install Fountains on the market today. To assure you install these model easily and correctly, PLEASE READ THESE SIMPLE INSTRUCTIONS BEFORE STARTING THE INSTALLATION. CHECK YOUR INSTALLATION FOR COMPLIANCE WITH PLUMBING, ELECTRICAL, AND OTHER APPLICABLE CODES. After installation, leave these instructions with the Fountain for future reference.

IMPORTANT

ALL SERVICE TO BE PERFORMED BY AN AUTHORIZED SERVICE PERSON

IMPORTANT! INSTALLER PLEASE NOTE.

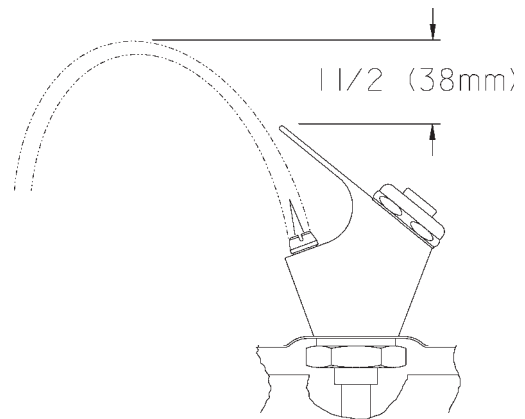
THE GROUNDING OF ELECTRICAL EQUIPMENT SUCH AS TELEPHONE, COMPUTERS, ETC. TO WATER LINES IS A COMMON PROCEDURE. THIS GROUNDING MAY BE IN THE BUILDING OR MAY OCCUR AWAY FROM THE BUILDING. THIS GROUNDING CAN CAUSE ELECTRICAL FEEDBACK INTO A FOUNTAIN, CREATING AN ELECTROLYSIS WHICH CAUSES A METALLIC TASTE OR AN INCREASE IN THE METAL CONTENT OF THE WATER. THIS CONDITION IS AVOIDABLE BY USING THE PROPER MATERIALS AS INDICATED. ANY DRAIN FITTINGS PROVIDED BY THE INSTALLER SHOULD BE MADE OF PLASTIC TO ELECTRICALLY ISOLATE THE FOUNTAIN FROM THE BUILDING PLUMBING SYSTEM.



1. Before digging and installing this fountain, locate all underground utilities. Reposition the fountain as required to insure that the installation does not interfere with items buried underground.
2. This fountain is to be mounted on a flat well drained surface. (i.e. Gravel pad, concrete pad with drainage, etc). A dedicated drain line can be adapted to the fountain if needed.
3. Route water supply to location shown on the rough-in drawing.
4. Fountain can be secured with hold down kit provided. Alternately, mounting bolts can be installed through corners of the bottom shelf. Drill holes as required.
To use the hold down kit, slide steel rod (item 28) through the hold down plate (item 29). Locate the steel rod in the center of where the fountain location. Drive the rod into the ground leaving approximately six inches exposed. Remove the ice bin from the fountain. The water lines disconnect from the ice bin coil. Refer to Figure 1. Position the fountain over the steel rod and hold down plate. Continue driving the rod into the ground. Rotate the hold down plate to secure the fountain. Continue driving the rod down to adequately secure the fountain in place. Replace the ice bin and reconnect the internal water lines.
5. Connect water supply and drain (if used). Water supply 3/8" O.D. unplated copper tube. Waste 1 1/4" OD Tube. Contractor to supply water service stop valve and waste trap (if used) in accordance with local codes. Connecting line should be thoroughly flushed to remove all foreign matter before being connected to the fountain. This fountain is manufactured in such a manner that it does not in any way cause taste, odor, color or sediment problems.
6. Turn on water supply and check all connections for leaks.

CAUTION: This fountain is rated for inlet water pressure of 20-105 PSI. A pressure reducing regulator should be used if the inlet watersupply exceeds 105 PSI. Any damage caused by reason of connecting this product to supply line pressures lower than 20 psig or higher than 105 psig is not covered by warranty.
DO NOT SOLDER TUBES INSERTED INTO THE STRAINER AS DAMAGE TO THE O-RINGS MAY RESULT.

STREAM HEIGHT ADJUSTMENT: Stream height is factory set at 45-50 PSI. If supply pressure varies greatly from this, remove items 3 and 4 (See figure 3) from bubbler assembly and adjust the screw on the regulator (Item 7). Clockwise adjustment will raise stream height and counterclockwise will lower the stream height. A stream height of 1-1/2" (38mm) is recommended.



TROUBLE SHOOTING AND MAINTENANCE

Actuation of Quick Connect Water Fittings: Fountain is provided with lead-free connectors which utilize an o-ring water seal. To remove tubing from the fitting, relieve water pressure, push in on the gray collar while pulling on the tubing. (see Fig. 1) To insert tubing, push tube straight into fitting until it reaches a positive stop, approximately 3/4".

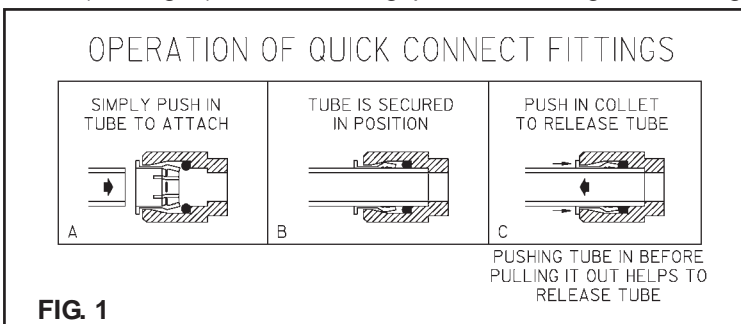


FIG. 1

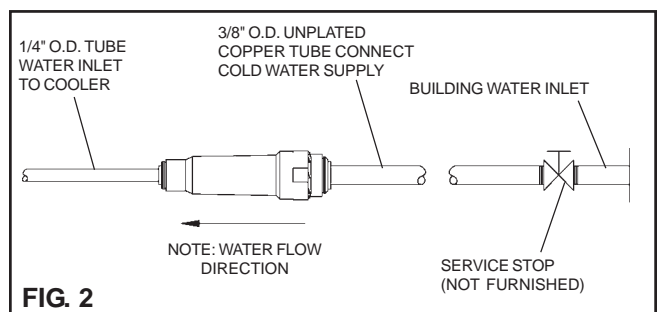


FIG. 2

ITEMIZED PARTS LIST

ITEM NO.	PART NO.	DESCRIPTION
1	A54881	Bubbler Assembly
2	10031C	Retaining Nut
3	40048C	Button - CP
4	40089C	Nut - Cover
5	40322C	Orifice Assembly
6	45675C	Bubbler Body
7	61313C	Regulator
8	60291C	Screen - SS
9	100322740560	Gasket - Black
10	15001C	Nipple - 3/8
11	15009C	Nipple - Bubbler
12	40038C	Strainer - Beehive
13	40619C	Tailpipe - Ferrel
14	50074C	Gasket - Tailpipe
15	56092C	Tube - Poly 1/4" (Cut To Length)
16	55996C	In - Line Strainer
17	70415C	Washer - Flat #10
18	70745C	Fitting - Union 3/8" x 1/4"
19	28608C	Basin
20	45859C	Coil - Evap
21	45860C	Drain
22	56253C	Bin
23	56254C	Cabinet
24	75677C	Fitting - Bulkhead
25	75678C	Fitting - Valve 3/8"
26	75690C	Nut - Hex Keps #10-24
27	98151C	Label - (Do Not Drink)
28	45862C	Rod - Hold Down
29	56258C	Brace - Hold Down

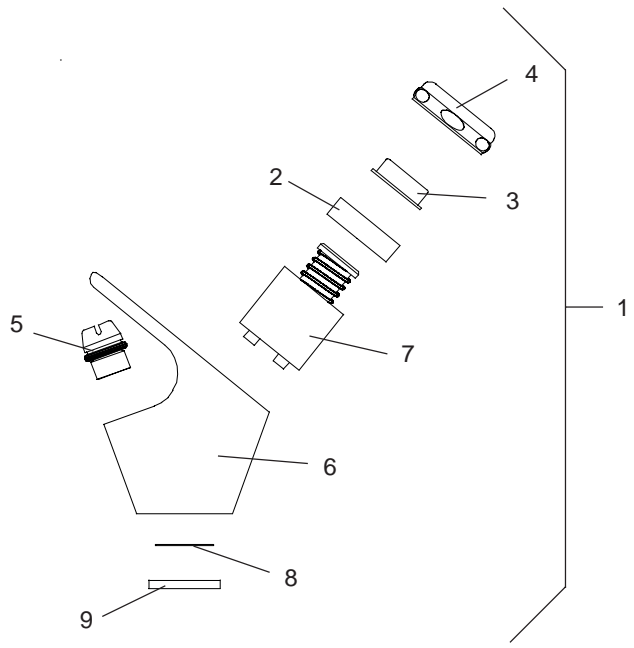
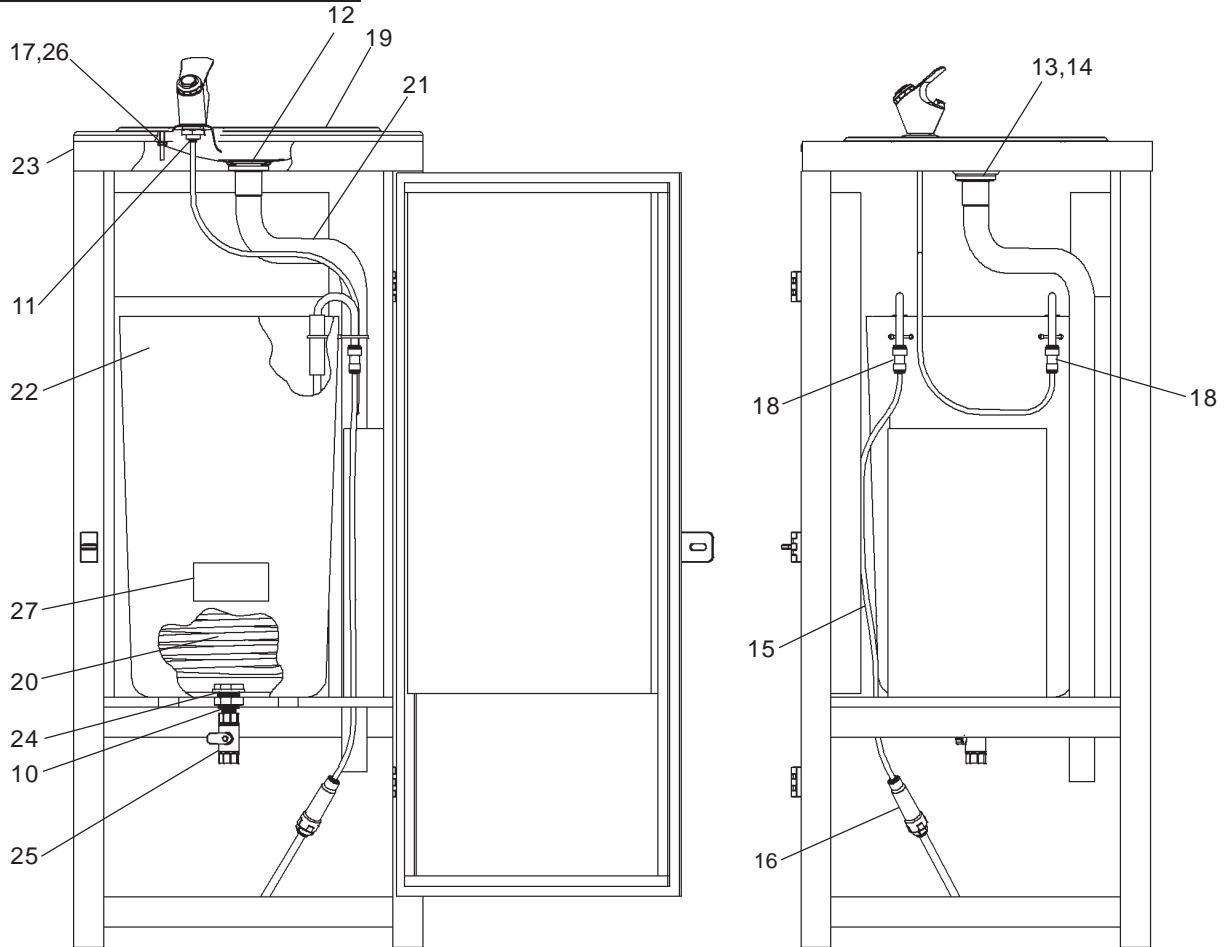


FIG. 3



Halsey Taylor
 2222 CAMDEN COURT
 OAK BROOK, IL 60523
 630.574.3500